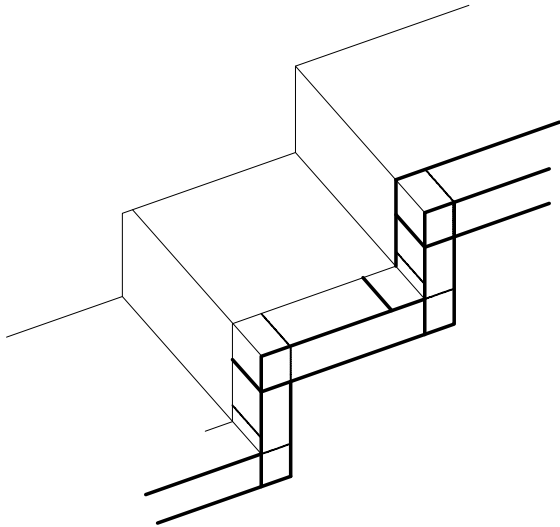
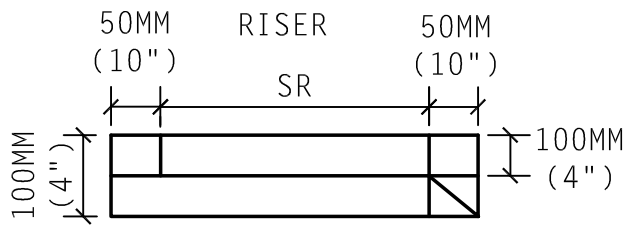
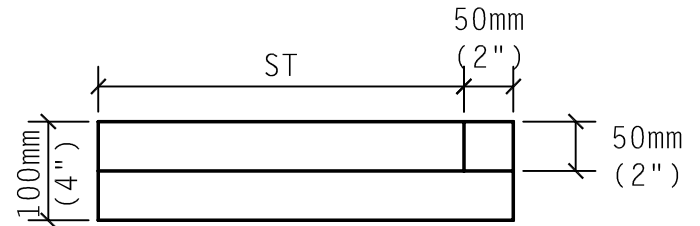


NOTE
 ST - STAIR TREAD DIMENSION
 SR - STAIR RISER DIMENSION

EDGE

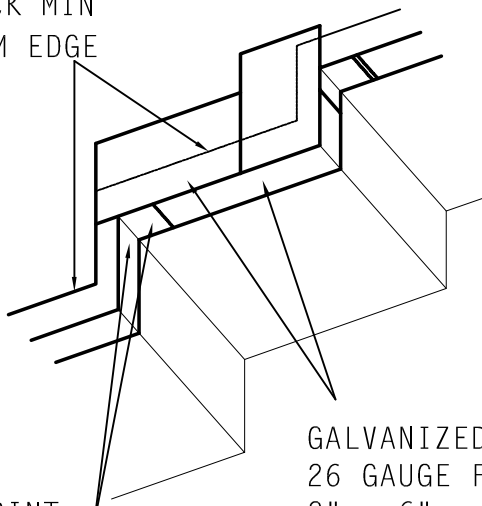


TREAD



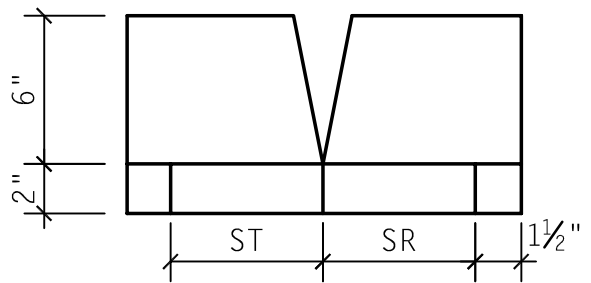
STUCCO STOP,
 EIFS, SIDING,
 HOLD BACK MIN
 1½" FROM EDGE

WALL



APPLY JOINT
 SEALANT ON ALL
 OVERLAPPED FLASHING

GALVANIZED BONDERIZED
 26 GAUGE FLASHING
 2" x 6"



STAIRWAY FLASHING

DETAIL 4